

POR

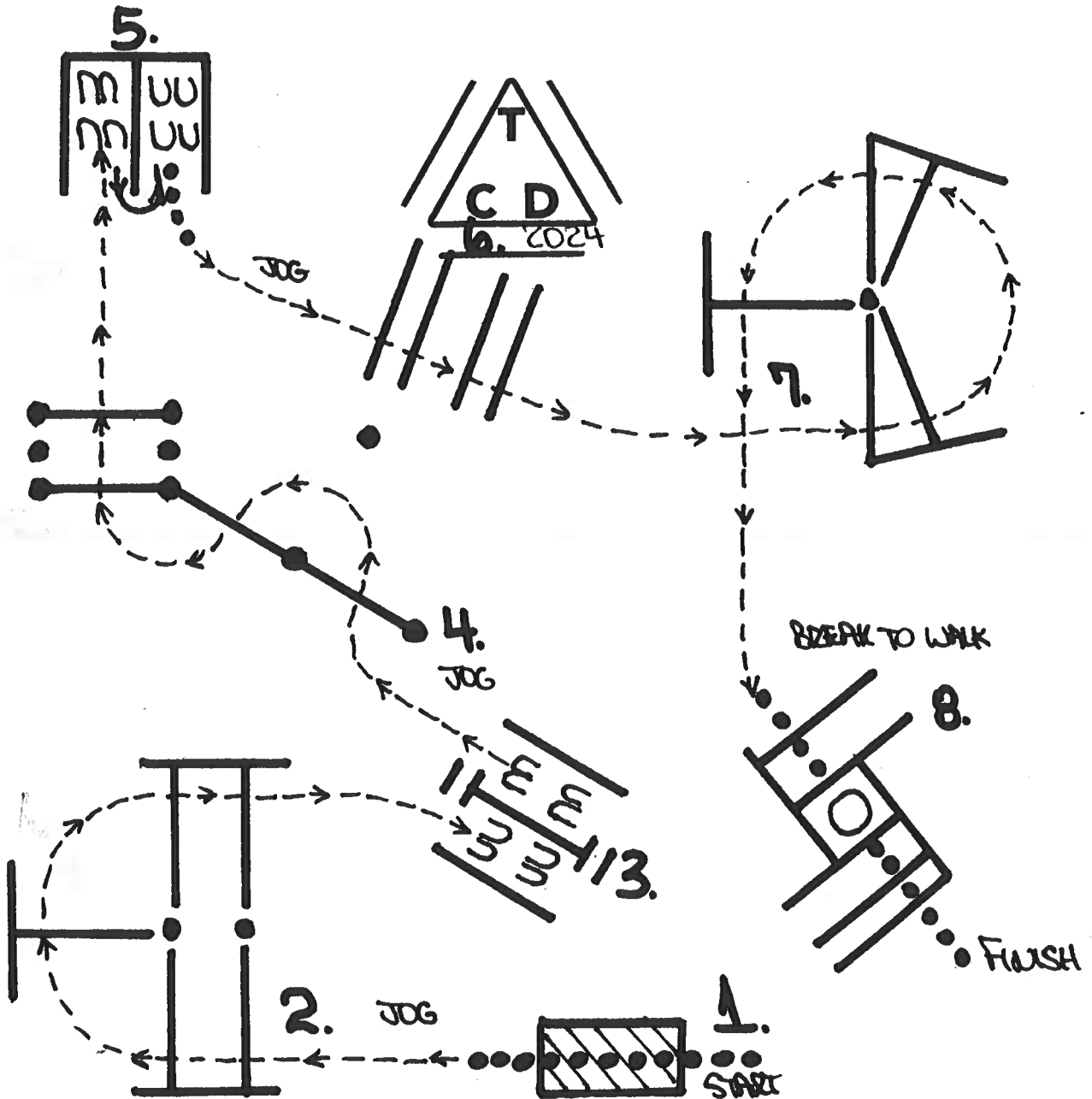
MAY 23, 2024

324-WALK/TROT 5 THRU 10

325-WALK/TROT 11-18

326-AMA WALK/TROT

326I-AMA SPB WALK/TROT



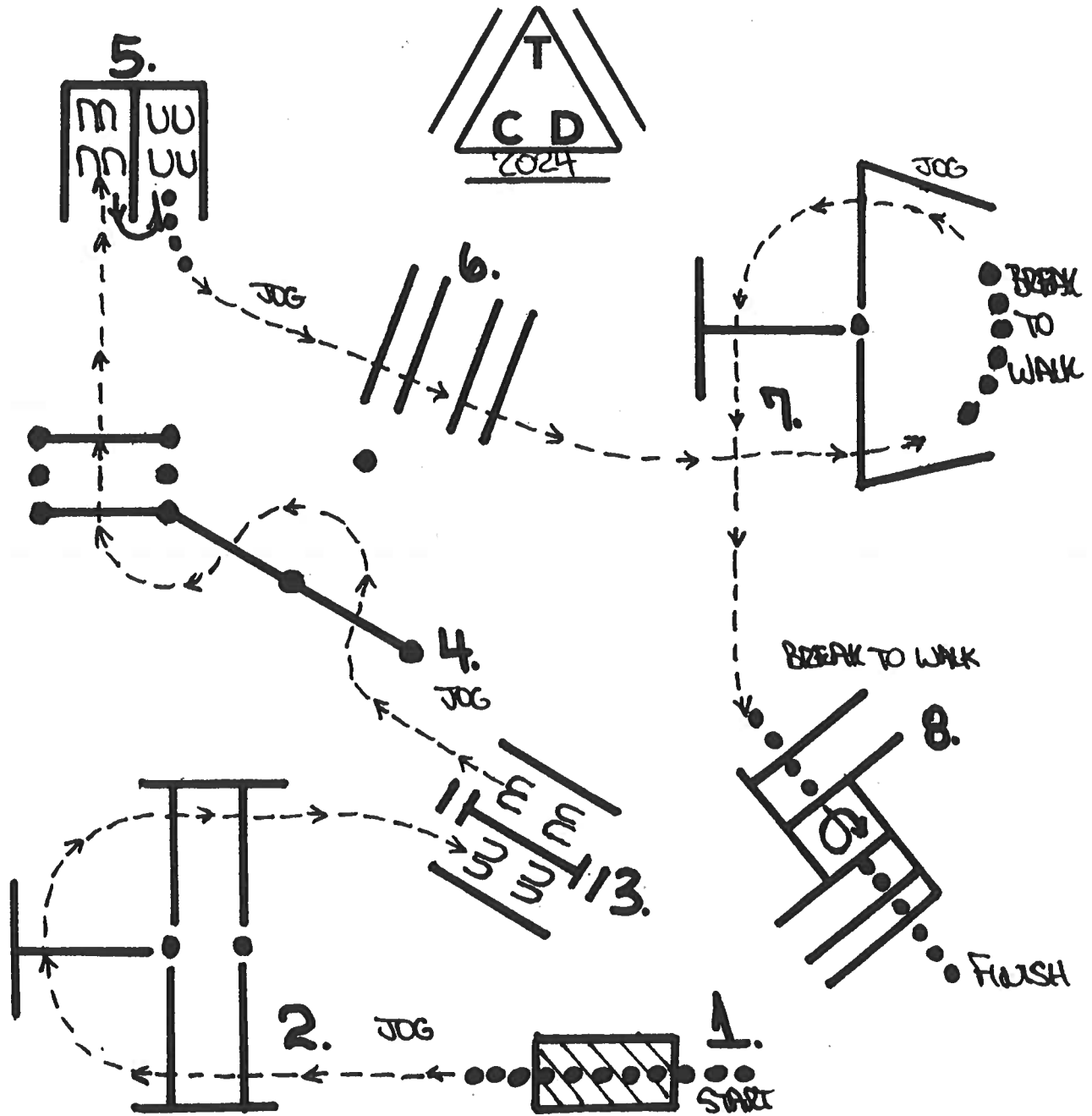
1. WALK OVER BRIDGE
2. JOG OVER POLES TO GATE
3. GATE:(LH) RIDE THRU CLOSE
4. JOG THRU SERPENTINE OVER POLES & INTO CHUTE
5. BACK CHUTE TO CHUTE WALK OUT
6. JOG OVER POLES
7. JOG OVER POLES
8. BREAK TO WALK OVER POLES INTO BOX 360 EITHER WAY WALK OUT

POR

MAY 23, 2024

316-YEARLING IN HAND
317-SPB YEARLING IN HAND
318-AMA YEARLING IN HAND
319-AMA SPB YEARLING IN HAND

320-2 YR OLD IN HAND
321-SPB 2 YR OLD IN HAND
322-AMA 2 YR OLD IN HAND
323-AMA SPB 2 YR OLD IN HAND



1. WALK OVER BRIDGE
2. JOG OVER POLES TO GATE
3. GATE:(LH) WALK THRU CLOSE
4. JOG THRU SERPENTINE OVER POLES & INTO CHUTE
5. BACK CHUTE TO CHUTE WALK OUT
6. JOG OVER 4 POLES
7. JOG OVER 1 POLE BREAK TO WALK, JOG OVER 2 POLES
8. BREAK TO WALK OVER POLES INTO BOX 360 EITHER WAY WALK OUT

POR

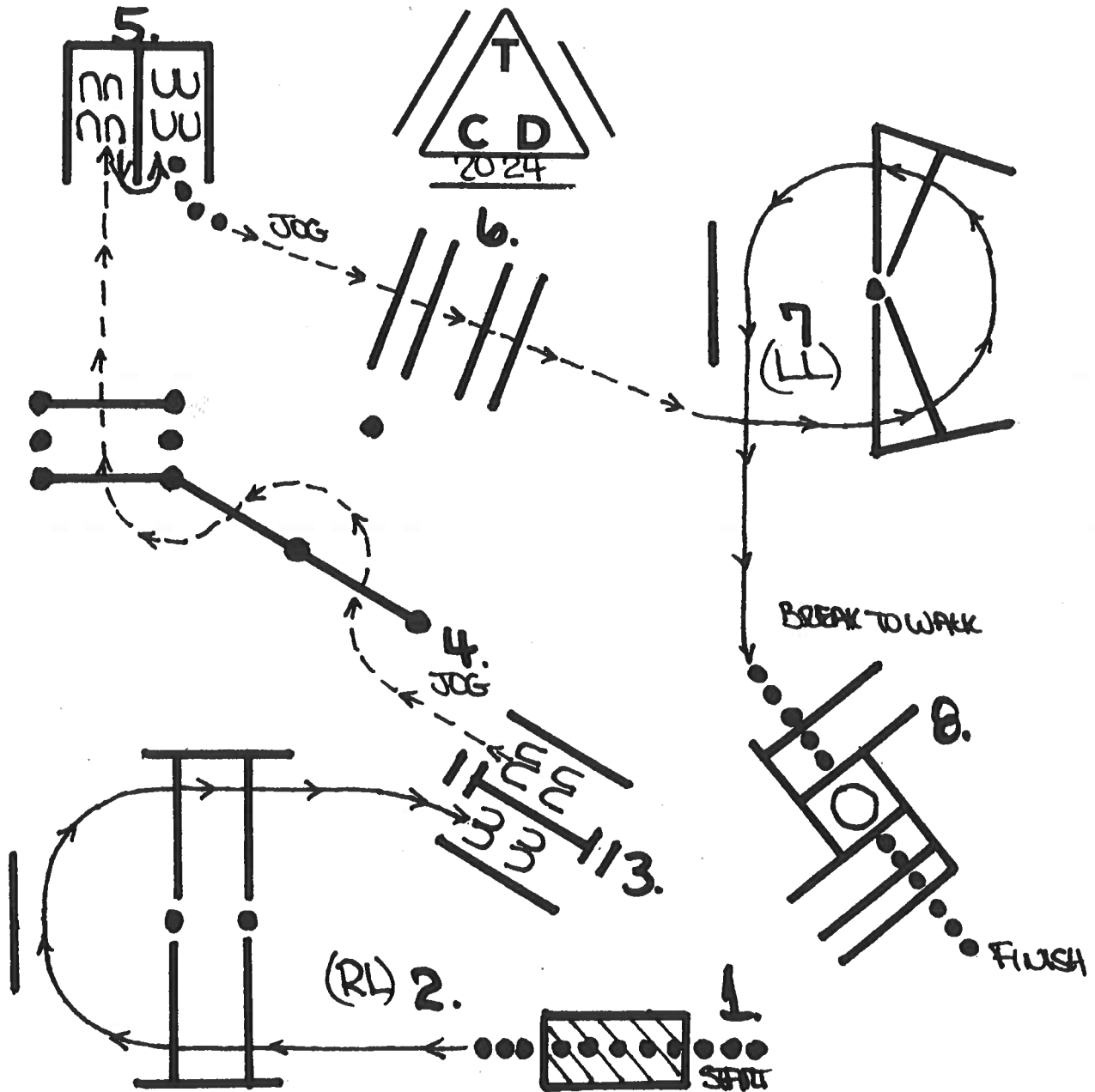
MAY 23, 2024

329-NOV YTH 18 & UND

331-NOV AMA

333-YTH 13 & UND

334-JR HORSE

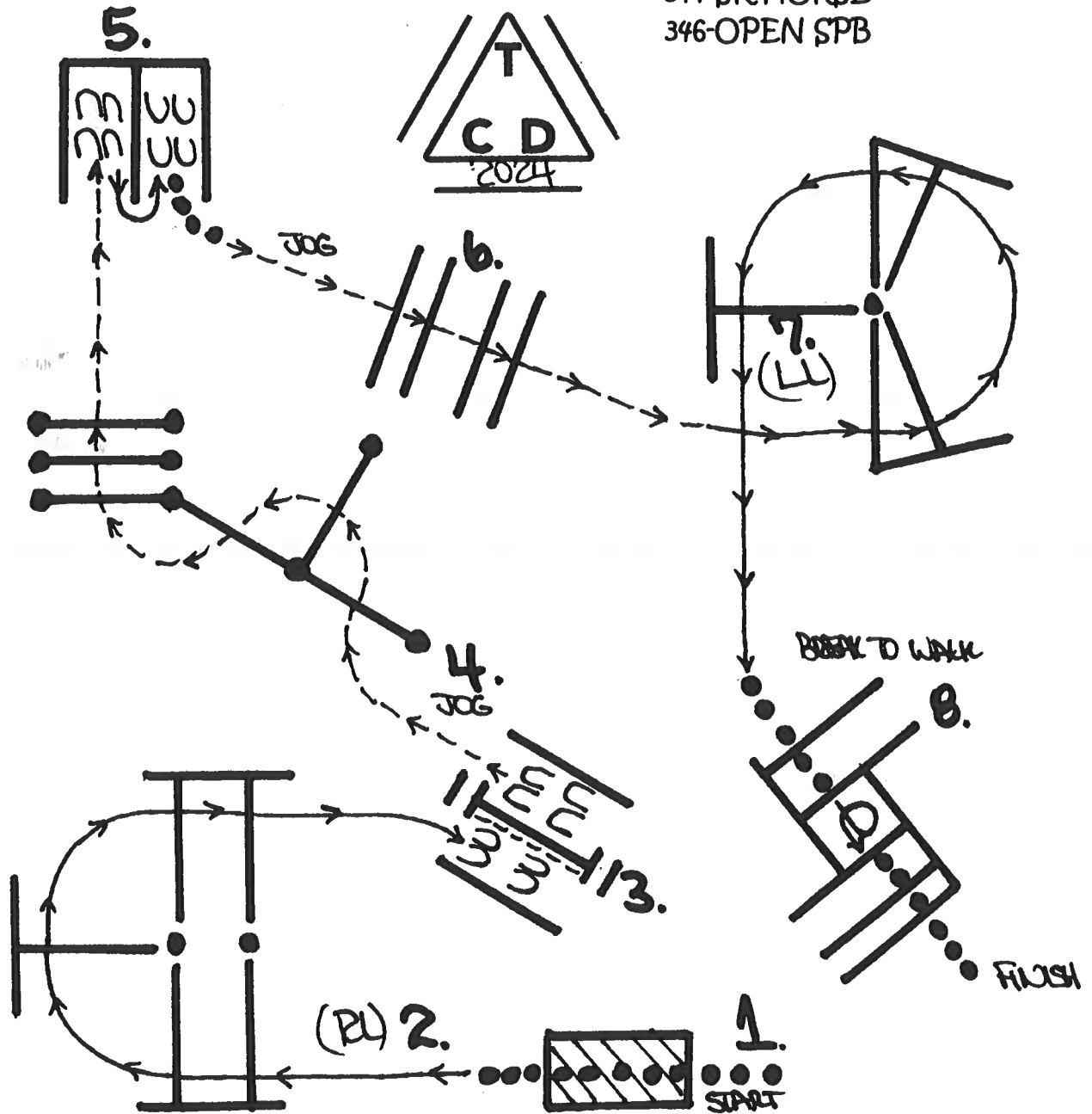


1. WALK OVER BRIDGE
2. LOPE OVER POLES (RL) TO GATE
3. GATE:(LH) RIDE THRU CLOSE
4. JOG THRU SERPENTINE OVER POLES & INTO CHUTE
5. BACK CHUTE TO CHUTE
6. JOG OVER POLES
7. LOPE OVER POLES (LL)
8. BREAK TO WALK OVER POLES INTO BOX 360 EITHER WAY WALK OUT

POR

MAY 23, 2024

- 338-YTH SPB
- 339-AMA
- 341-AMA SPB
- 342-MASTERS AMA
- 344-SR HORSE
- 346-OPEN SPB



1. WALK OVER BRIDGE
2. LOPE OVER POLES (RL) TO GATE
3. GATE:(LH) RIDE THRU OVER POLE CLOSE
4. JOG THRU SERPENTINE OVER POLES & INTO CHUTE
5. BACK CHUTE TO CHUTE
6. JOG OVER POLES
7. LOPE OVER POLES (LL)
8. BREAK TO WALK OVER POLES INTO BOX 360 LEFT WALK OUT