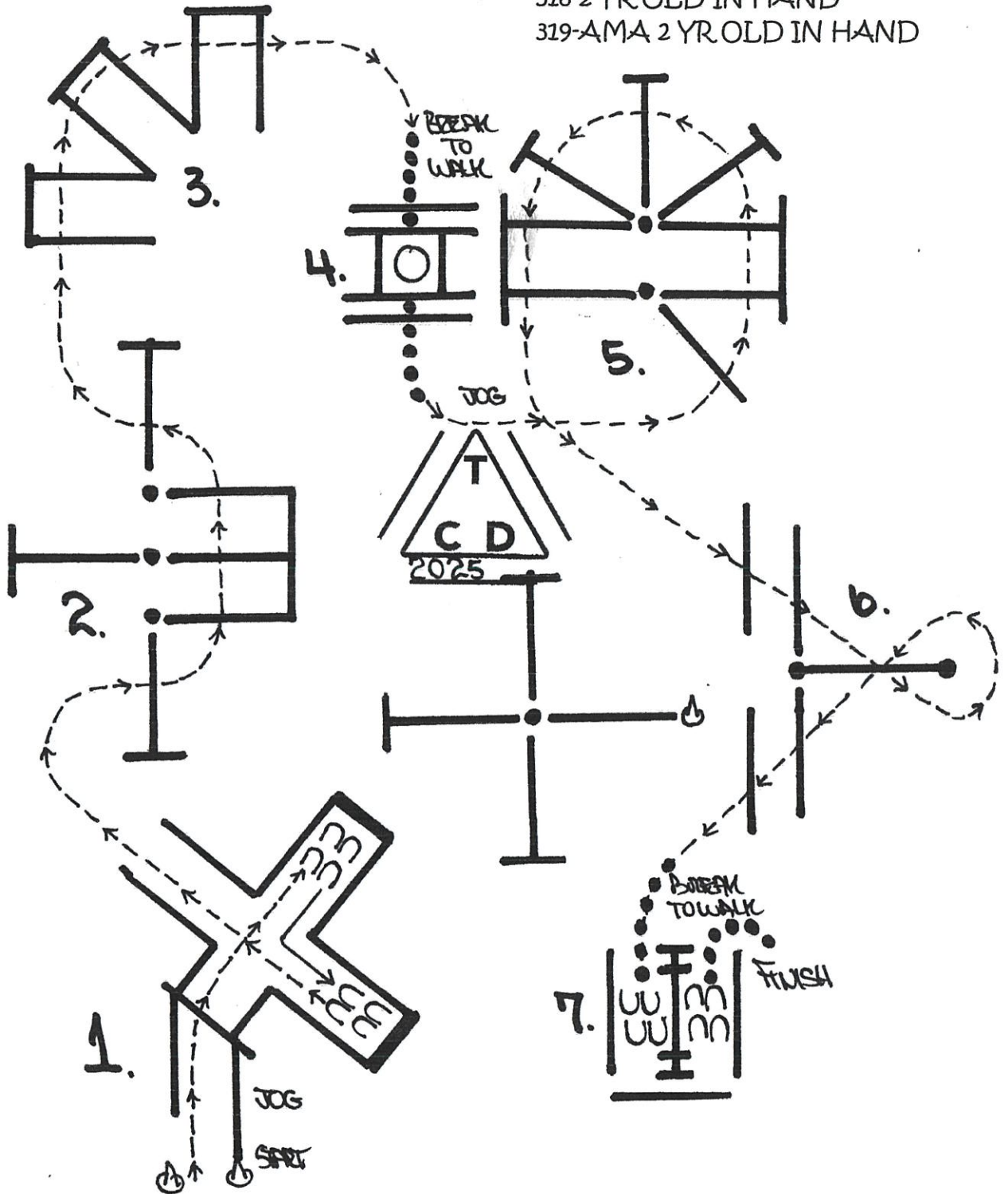


ZONE # 2

MAY 10, 2025

315-A/BREED IN HAND
 316-YEARLING IN HAND
 317-AMA YEARLING IN HAND
 318-2 YR OLD IN HAND
 319-AMA 2 YR OLD IN HAND



1. JOG INTO CHUTE BACK THRU POLES & JOG OUT OF CHUTE
2. JOG OVER 5 POLES
3. JOG OVER 6 POLES & BREAK TO WALK
4. WALK OVER POLES INTO BOX, 360 EITHER WAY, WALK OUT OVER POLES
5. JOG OVER 8 POLES
6. JOG THRU SERPENTINE & OVER POLES
7. WALK TO GATE:(LH) WALK THRU CLOSE WALK AWAY

ZONE # 2

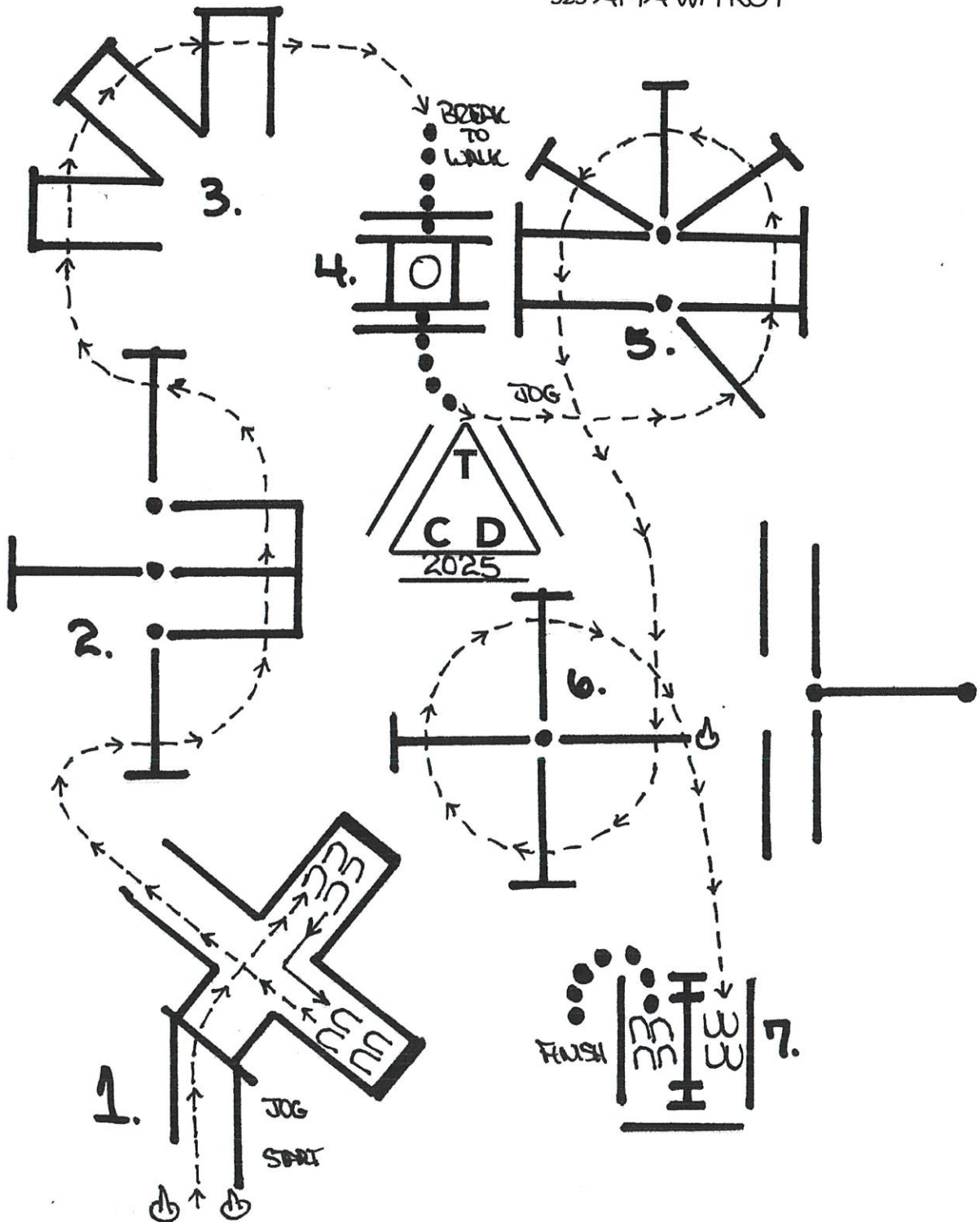
MAY 10, 2025

320-A/BREED W/TROR

321-W/TROT 5-10

322 W/TROT 11 16

323-AMA W/TROT

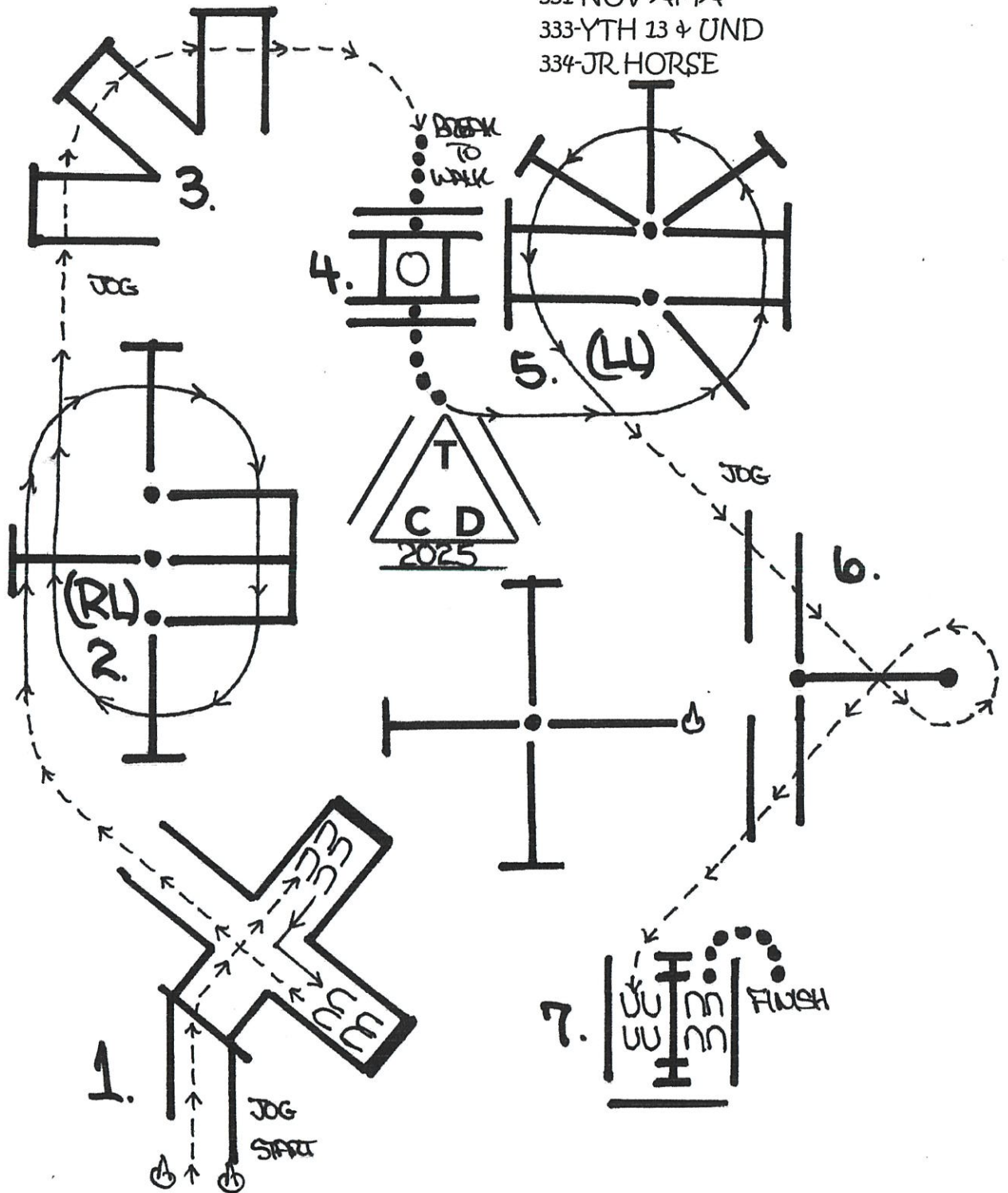


1. JOG INTO CHUTE BACK THRU POLES & JOG OUT OF CHUTE
2. JOG OVER 5 POLES
3. JOG OVER 6 POLES & BREAK TO WALK
4. WALK OVER POLES INTO BOX, 360 EITHER WAY, WALK OUT OVER POLES
5. JOG OVER 8 POLES
6. JOG OVER 5 POLES TO GATE
7. GATE:(LH) RIDE THRU CLOSE

ZONE # 2

MAY 10, 2025

324-A/BREED GREEN
 325-GREEN HORSE
 329 NOV YTH 16 + UND
 331-NOV AMA
 333-YTH 13 + UND
 334-JR HORSE

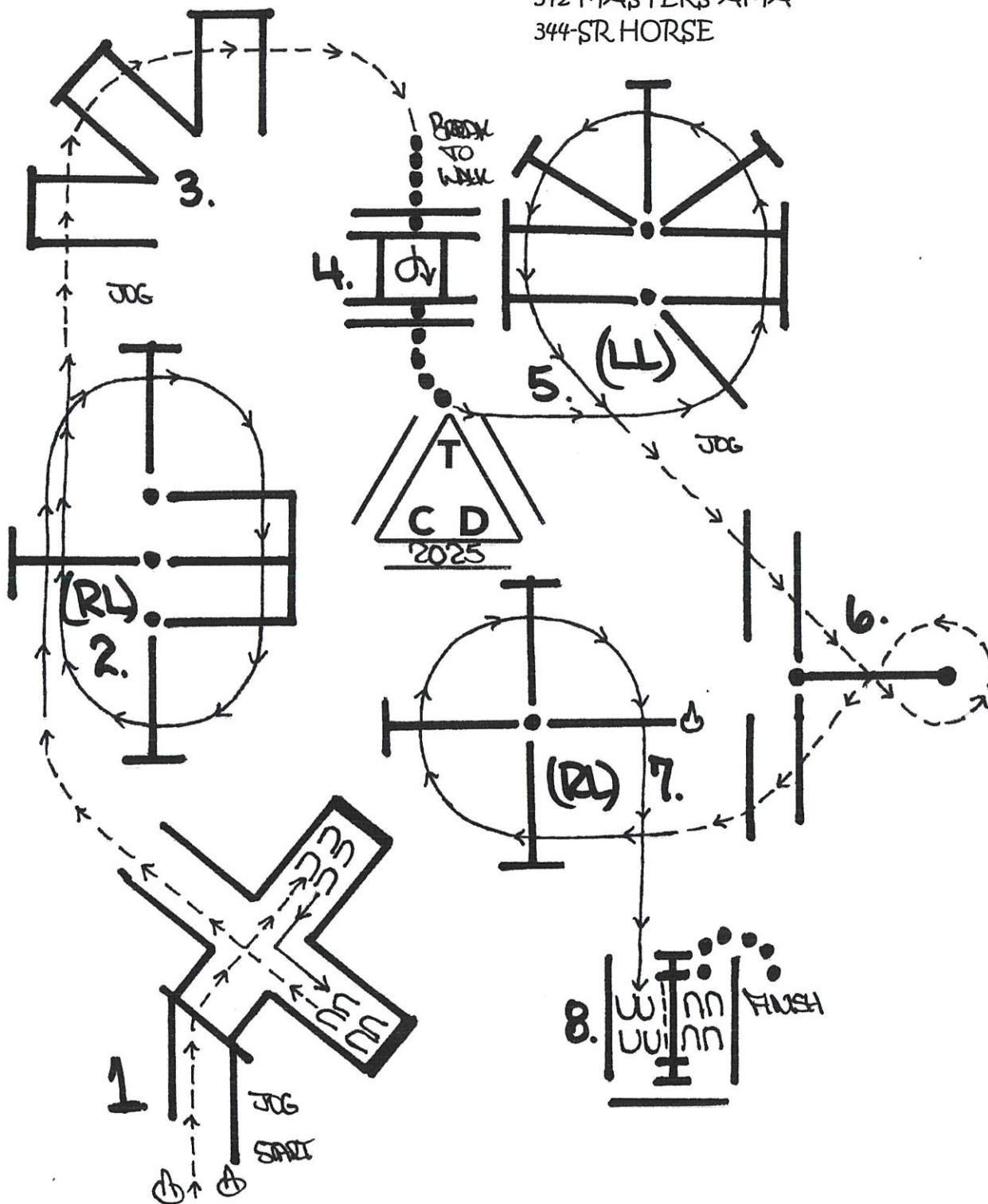


1. JOG INTO CHUTE BACK THRU POLES & JOG OUT OF CHUTE
2. LOPE OVER POLES (RL)
3. JOG OVER POLES & BREAK TO WALK
4. WALK OVER POLES INTO BOX, 360 EITHER WAY, WALK OUT OVER POLES
5. LOPE OVER POLES (LL)
6. JOG THRU SERPENTINE & OVER POLES TO GATE
7. GATE:(LH) RIDE THRU CLOSE

ZONE # 2

MAY 10, 2025

336-ALL BREED
 337-YTH 18 & UND
 339-AMA
 342-MASTERS AMA
 344-SR HORSE



1. JOG INTO CHUTE BACK THRU POLES & JOG OUT OF CHUTE
2. LOPE OVER POLES (RL)
3. JOG OVER POLES & BREAK TO WALK
4. WALK OVER POLES INTO BOX, 360 RIGHT TURN, WALK OUT OVER POLES
5. LOPE OVER POLES (LL)
6. JOG THRU SERPENTINE & OVER POLES
7. LOPE OVER POLES (RL) TO GATE
8. GATE:(LH) RIDE THRU OVER POLE CLOSE