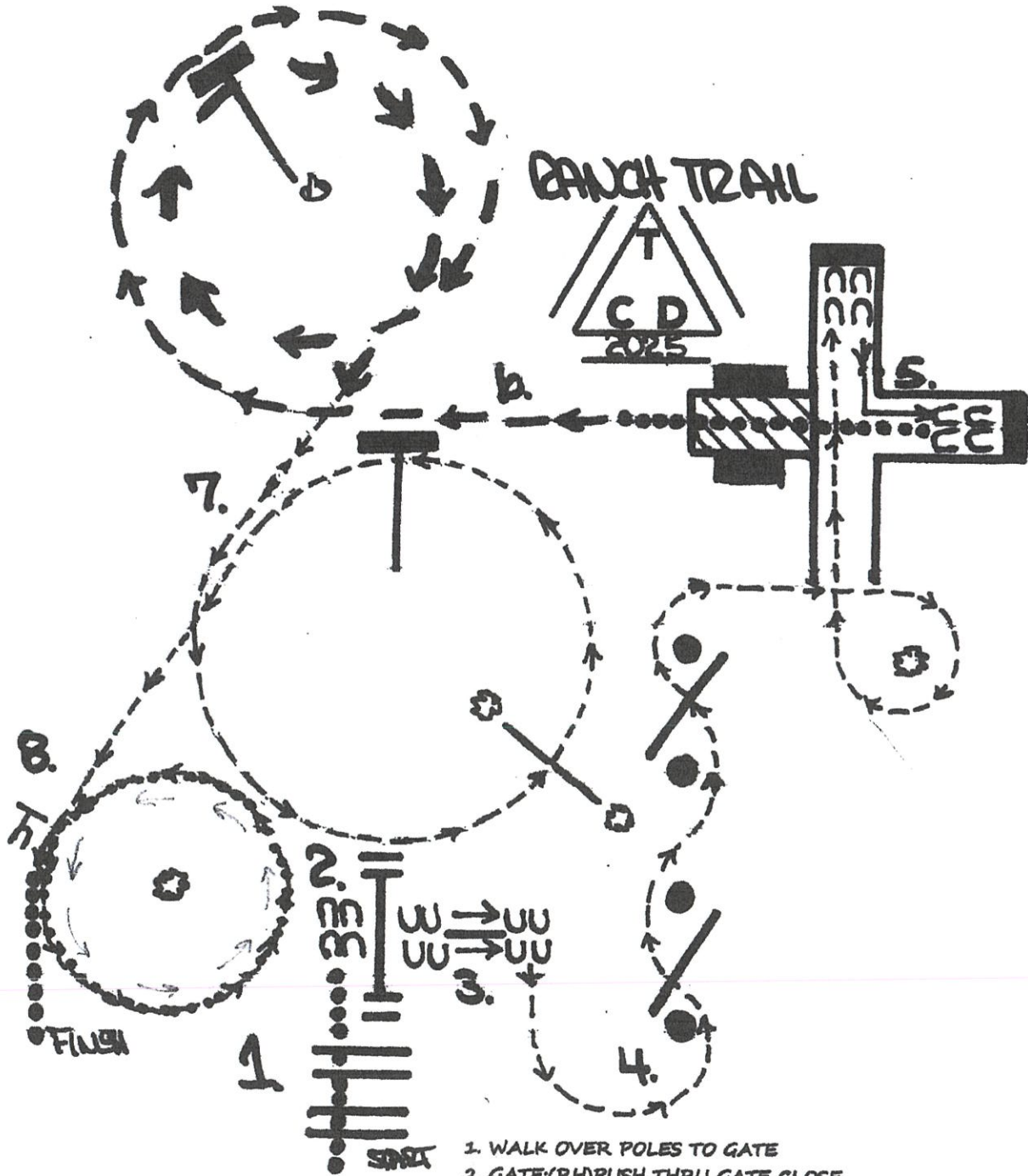


ZONE #2

297-ALL BREED W/TROT

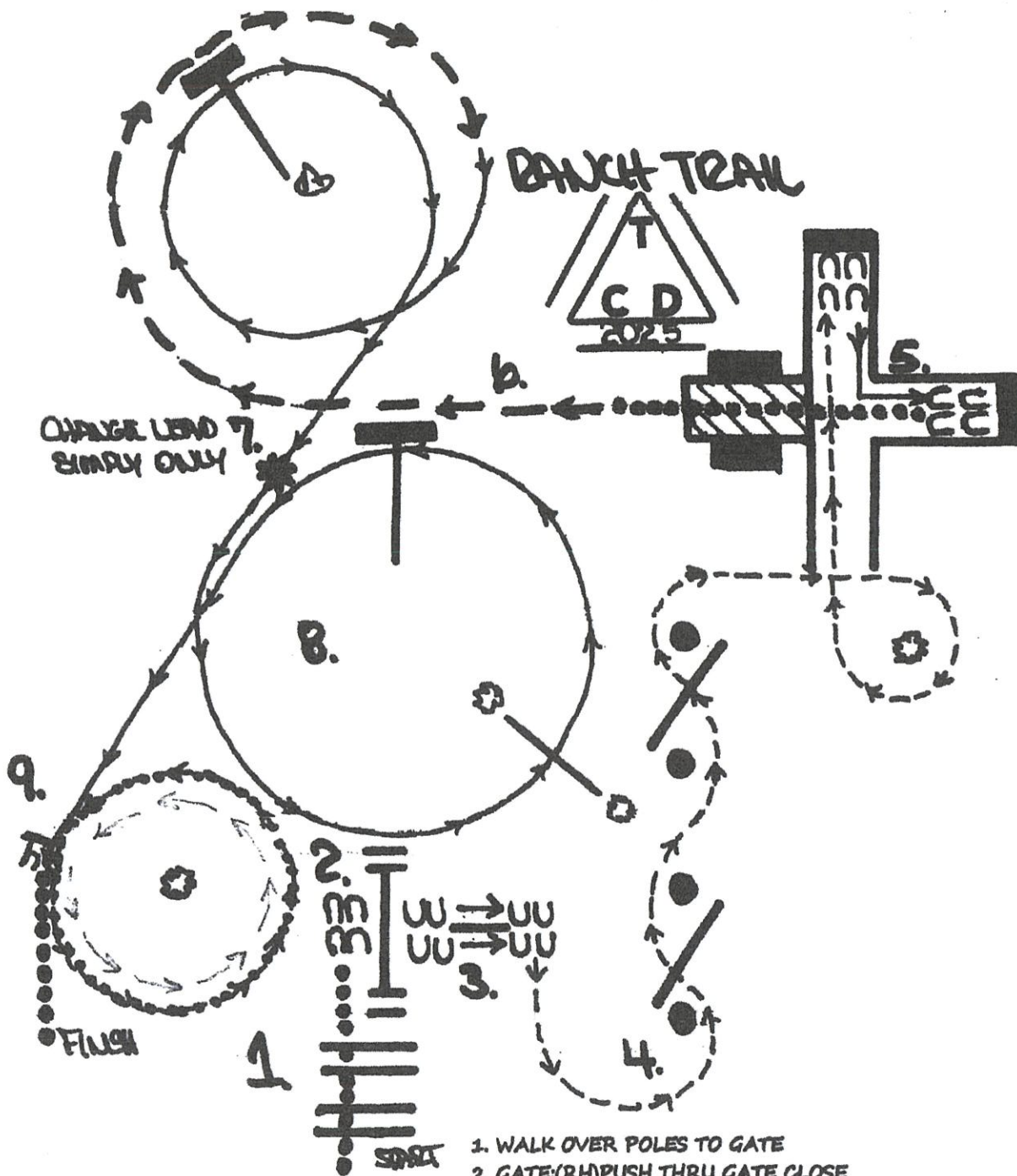
MAY 10, 2025



1. WALK OVER POLES TO GATE
2. GATE (RH) PUSH THRU GATE CLOSE
3. SIDE PASS LEFT OVER POLE
4. TROT THRU SERPENTINE & OVER POLES & INTO CHUTE
5. BACK THRU POLES WALK OUT OF CHUTE OVER BRIDGE
6. EXTENDED TROT OVER POLE
7. BREAK TO REGULAR TROT & OVER POLES TO DRAG
8. PICK UP SLICKER WALK/TROT AROUND MARKER REPLACE BUCKET WALK AWAY

ZONE #2
MAY 10, 2025

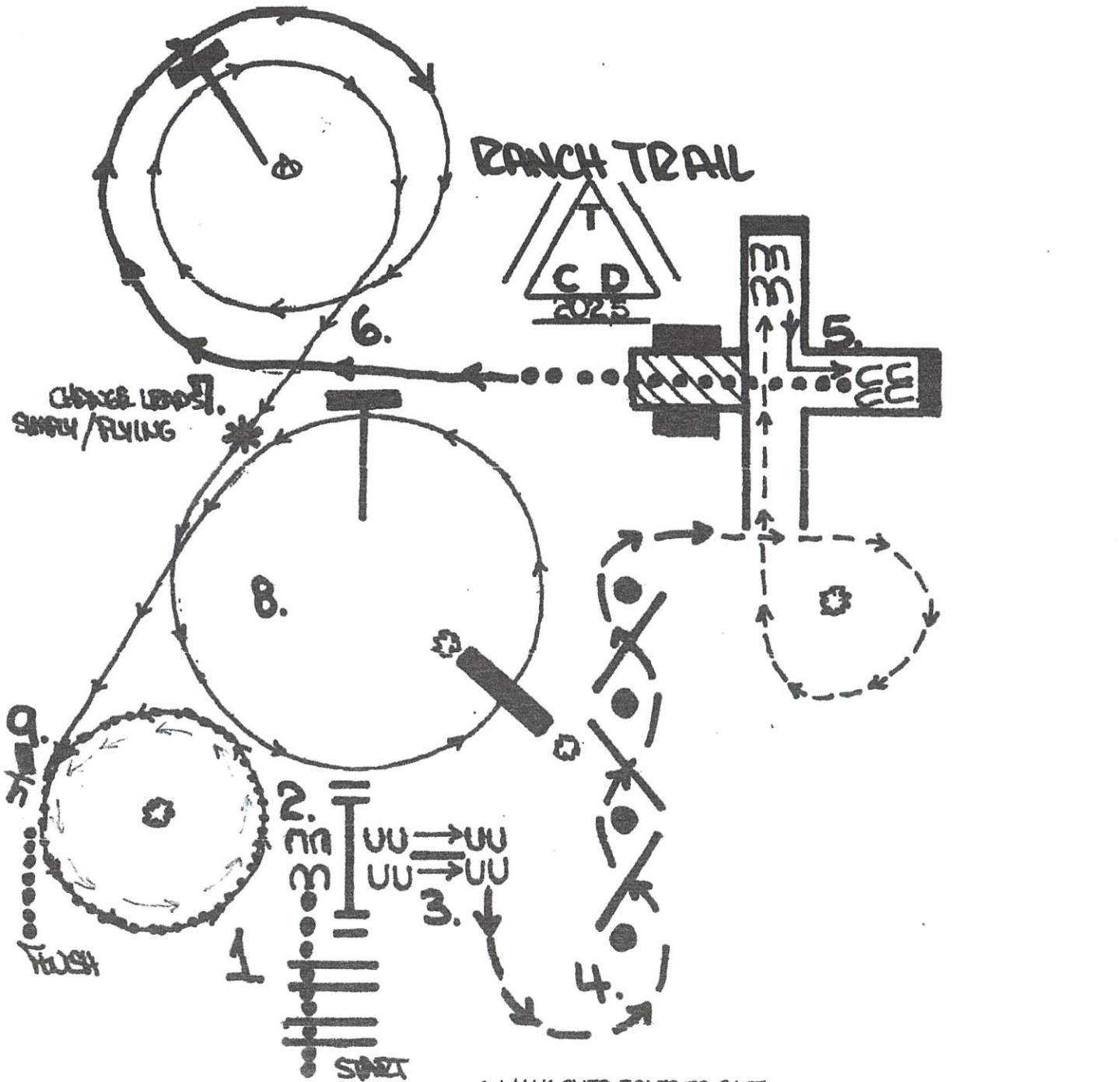
301-NOV YTH RANCH
 303-YTH RANCH
 307-NOV AMA RANCH



1. WALK OVER POLES TO GATE
2. GATE:(RH)PUSH THRU GATE CLOSE
3. SIDE PASS LEFT OVER POLE
4. TROT THRU SERPENTINE & OVER POLES & INTO CHUTE
5. BACK THRU POLES WALK OUT OF CHUTE OVER BRIDGE
6. EXTENDED TROT, LOPE OVER POLE (RL)
7. CHANGE LEADS (SIMPLE ONLY)
8. LOPE (LL) OVER POLES TO DRAG
9. PICK UP COAT, WALK/TROT AROUND MARKER REPLACE COAT WALK AWAY

ZONE #2
MAY 10, 2025

299-ALL BREED RANCH
 309-AMA RANCH
 313-OPEN RANCH



1. WALK OVER POLES TO GATE
2. GATE:(RH)PUSH THRU GATE CLOSE
3. SIDE PASS LEFT OVER POLE
4. EXTENDED TROT THRU SERPENTINE & OVER POLES ,
BREAK DOWN TO TROT & INTO CHUTE
5. BACK THRU POLES WALK OUT OF CHUTE OVER BRIDGE
6. EXTENDED LOPE (RL) DOWN TO REGULAR LOPE & OVER POLE
7. CHANGE LEADS (SIMPLE/FLYING)
8. LOPE (LL) OVER JUMP & POLE TO DRAG
9. PICK UP ROPE & DRAG LOG (WALK OR TROT) AROUND CARTS ,
RETURN ROPE & WALK AWAY.