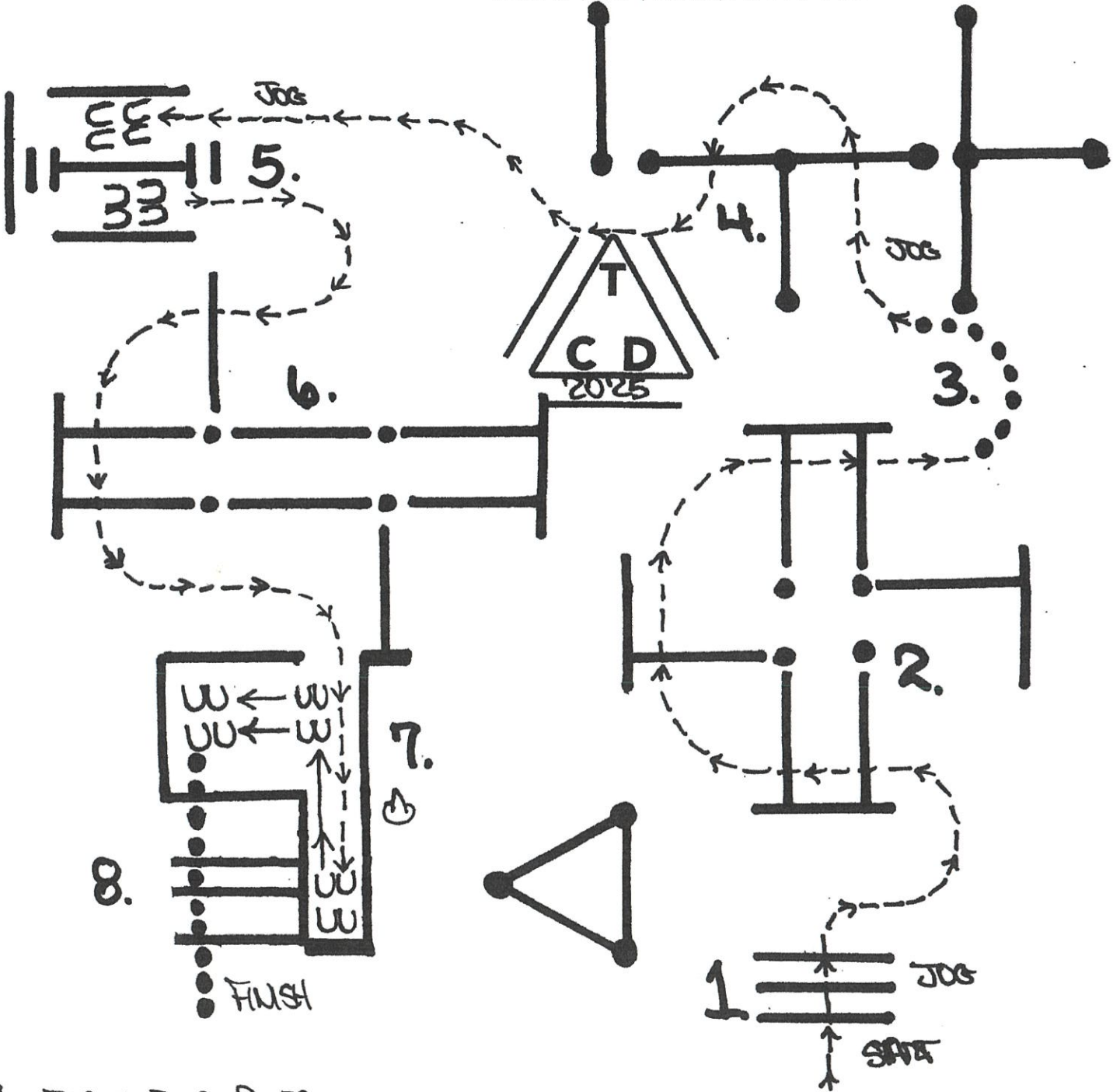


POR

MAY 8, 2025

- 315-A/BREED IN HAND
- 316-YEARLING IN HAND
- 317-AMA YEARLING IN HAND
- 318-2 YR OLD IN HAND
- 319-AMA 2 YR OLD IN HAND



- 1. JOG OVER 3 POLES
- 2. JOG OVER 6 POLES
- 3. BREAK TO WALK
- 4. PICK UP JOG THRU SERPENTINE & OVER POLES TO GATE
- 5. GATE (RH) RIDE THRU CLOSE
- 6. JOG OVER 3 POLES & INTO CHUTE STOP PASS CONE & STOP
- 7. BACK PASS CONE TO SIDE PASS, SIDE PASS RIGHT
- 8. WALK OUT OVER POLES

POR

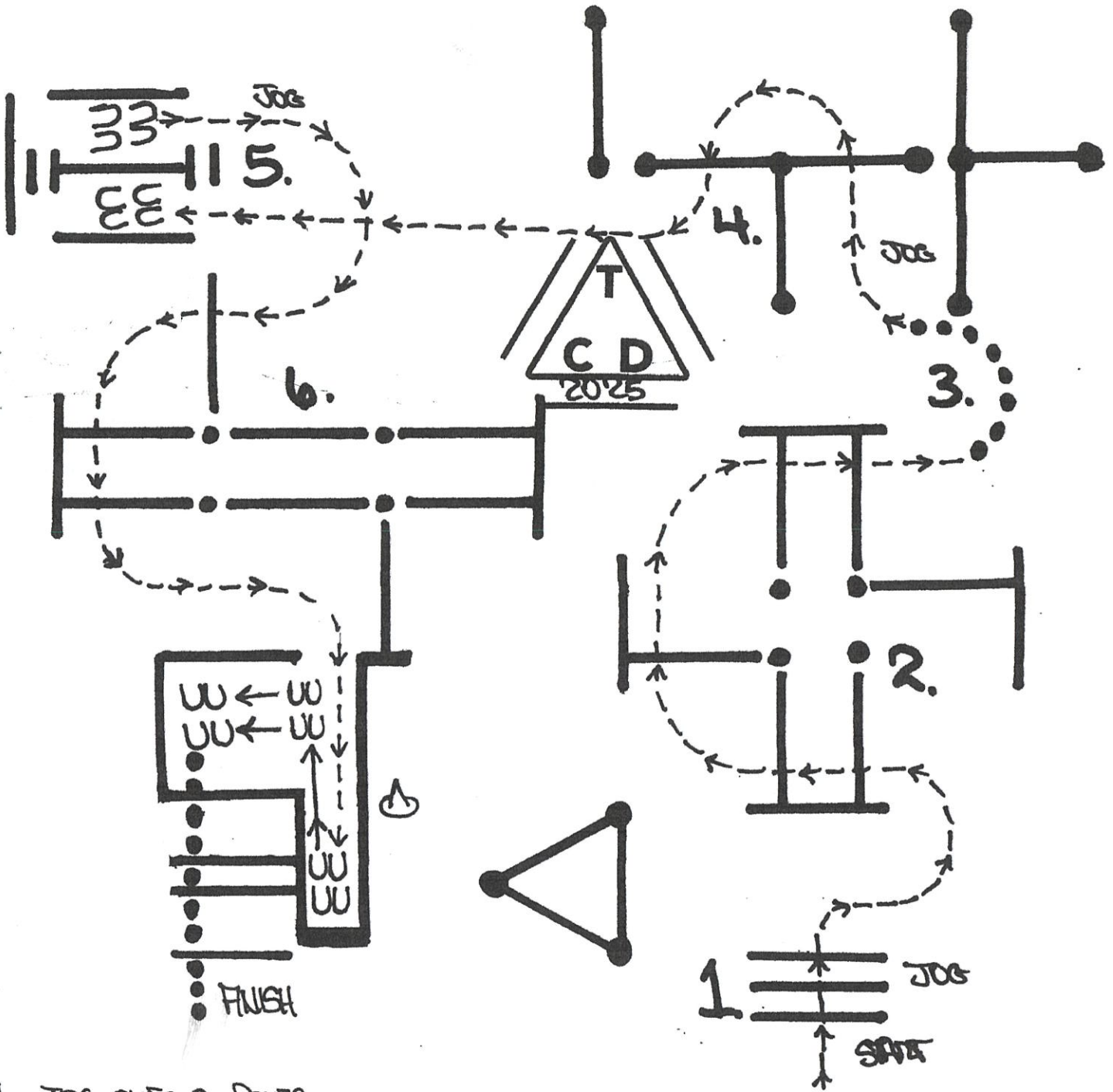
MAY 8, 2025

320-A/BREED W/TROT

321-W/TROT 5-10

322-W/TROT 11-18

323-AMA W/TROT

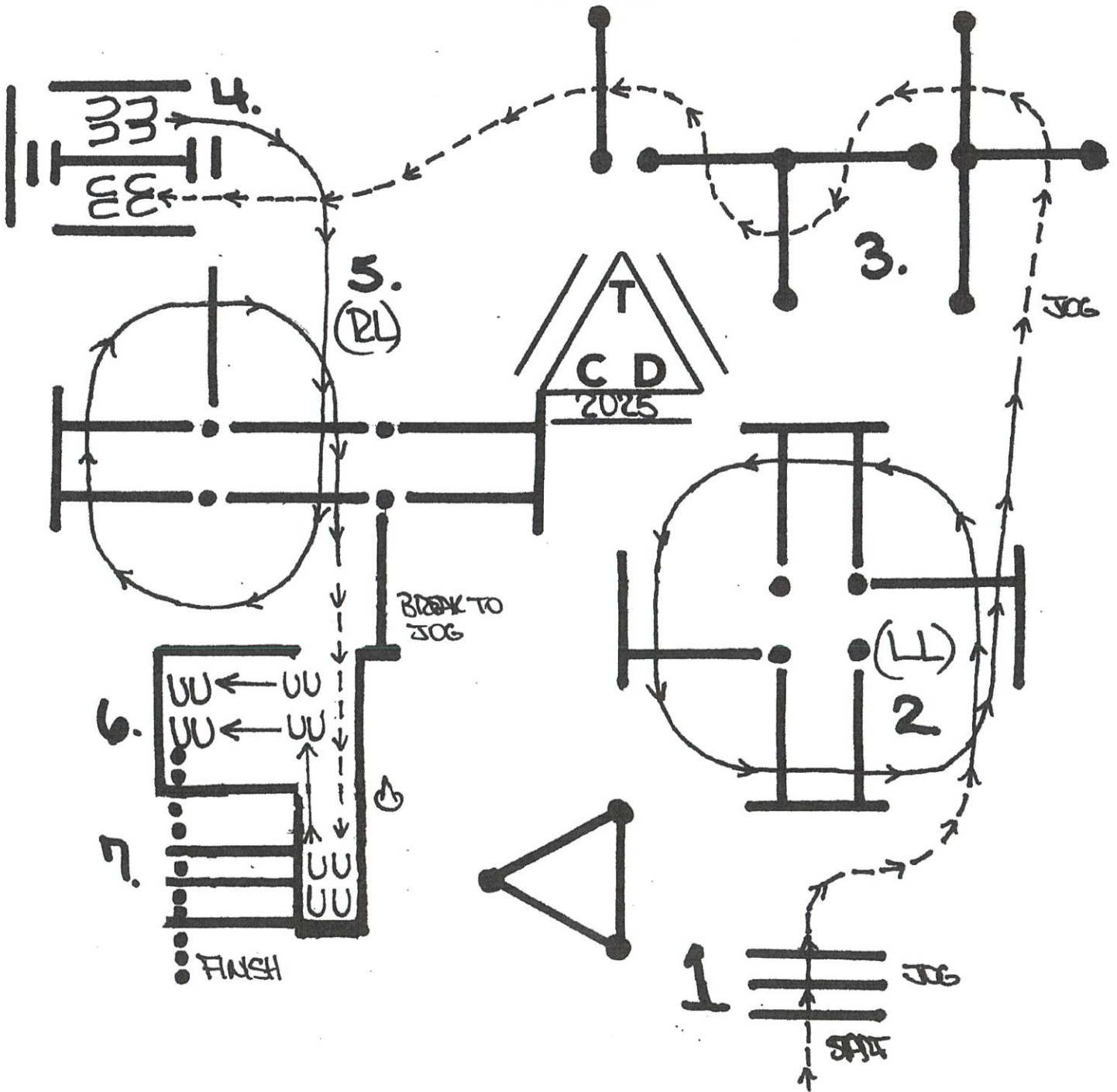


- 1- JOG OVER 3 POLES
- 2- JOG OVER 6 POLES
- 3- BREAK TO WALK
- 4- PICK UP JOG THRU SERRANTINE & OVER POLES TO GATE
- 5- GATE (RH) RIDE THRU CLOSE
- 6- JOG OVER 3 POLES & INTO CHUTE & STOP PASS CORR & STOP
- BACK PASS CORR TO SIDE PASS, SIDE PASS RIGHT
- WALK OUT OVER POLES

POR

MAY 8, 2025

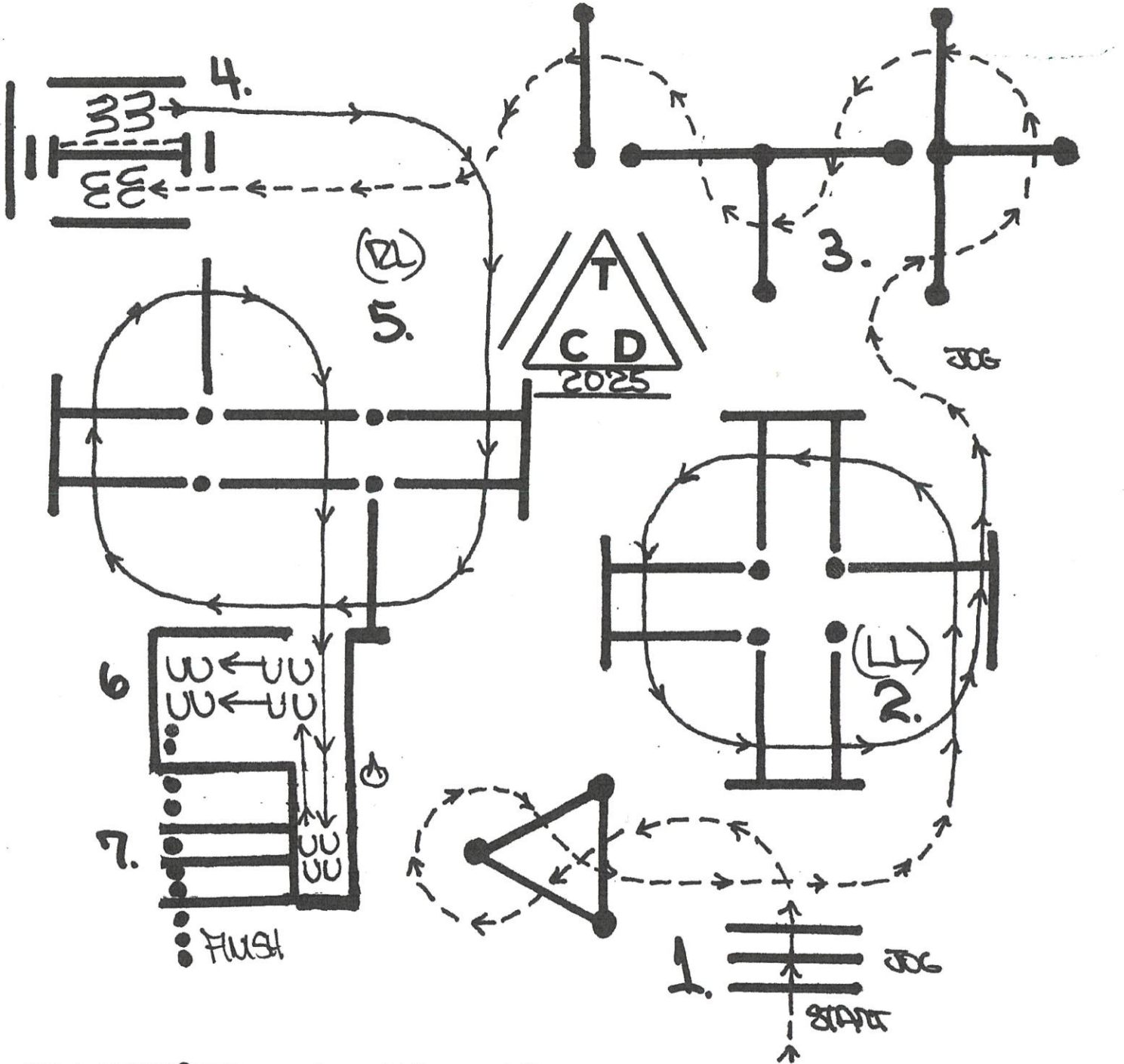
324-A/BREED GREEN
325-GREEN HORSE
329-NOV YTH 18 & UND
331-NOV AMA
333-YTH 13 & UND
334-JR HORSE



- 1 JOG OVER FOURS
- 2 LOPE OVER FOURS ON LEFT LEAD
- 3 BREAK TO JOG & JOG THRU SERPENTINE & OVER FOURS TO GATE
- 4 GATE: (RH) RIDE THRU CLOSE
- 5 LOPE OVER FOURS ON RIGHT LEAD & BREAK TO JOG & INTO CHUTE & STOP PASS COW
- 6 BACK PASS COW TO SIDE PASS, SIDE PASS RIGHT
- 7 WALK OUT OVER FOURS

POR
MAY 8, 2025

336-ALL BREED
337-YTH 18 + UND
339-AMA
342-MASTERS AMA
344-SR HORSE



1. JOG OVER POLES & AROUND CONES
 2. LOOP OVER POLES ON LEFT LEAD
 3. BREAK TO JOG & JOG THRU SERPENTINED OVER POLES TO GATE
 4. GATE: (LH) RIDE THRU OVER POLE CLOSE
 5. LOOP OVER POLES ON RIGHT LEAD & INTO CHUTE & STOP PASS CONE & STOP
 6. BACK PASS CONE TO SIDE PASS, SIDE PASS RIGHT
 7. WALK OUT OVER POLES